

Code No: 114DA**JAWAHARLAL NEHRU TECHNOLOGICAL UNIVERSITY HYDERABAD****B.Tech II Year II Semester Examinations, October/November - 2016****MACHINE DRAWING****(Common to ME, MCT, AME, MSNT)****Time: 3 Hours****Max. Marks: 75****Answer any THREE questions from Part - A
Part - B is Compulsory****PART - A****(3 × 10 = 30)**

1. Sketch the conventional representation of the following materials:
 - a) Steel
 - b) lead
 - c) glass
 - d) Asbestos. [10]

2. Sketch the conventional representation of the following
 - a) Semi elliptic leaf spring
 - b) Cylindrical tension spring
 - c) Square on shaft
 - d) Bearings. [10]

3. Sketch the required views indicating the proportions of compression muff coupling to connect two shafts, each of diameter 30 mm. [10]

4. Draw
 - a) Sectional view from the front and
 - b) View from above, of the following riveted joints, to join plates of thickness 10mm: i) Double riveted chain lap joint ii) double riveted Zig-Zag lap joint. [5+5]

PART - B**(1 × 45 = 45)**

5. The details of eccentric given in the following. Draw the following assembled views?
 - a) half sectional front view
 - b) Top view
 - c) Side view. [45]

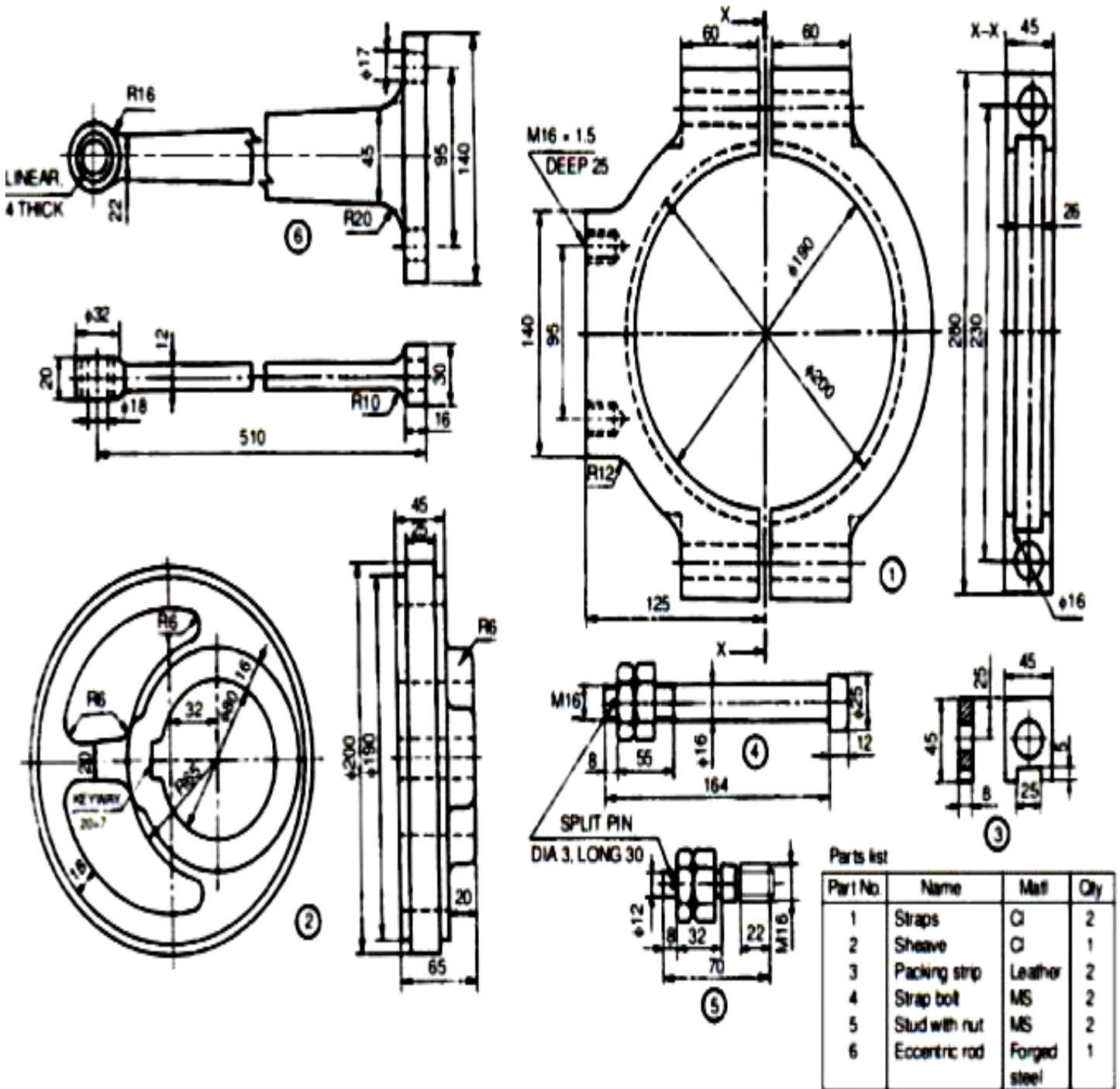


Fig. 18.8b Details of an eccentric