

H.T.No.

--	--	--	--	--	--	--	--	--	--

Code No: ME1518

GEC-R14

II B. Tech II Semester Supplementary Examinations, January 2017

MACHINE DRAWING

(Mechanical Engineering)

Time: 3 Hours

Max. Marks: 60

Note: Answer Any Two Questions from PART-A.

Answer Qestion from PART-B

PART-A

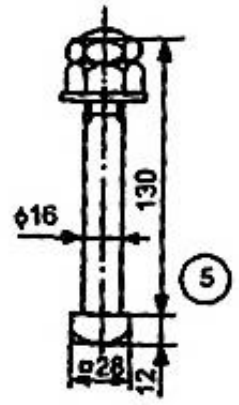
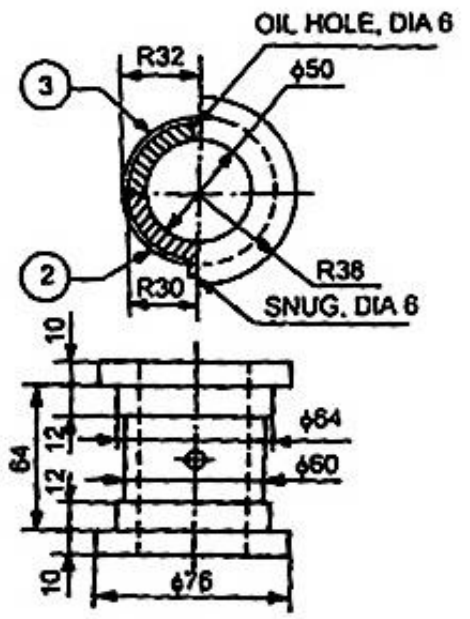
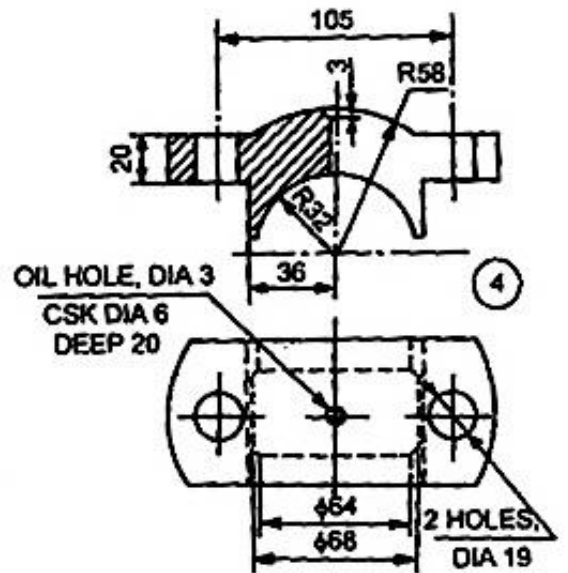
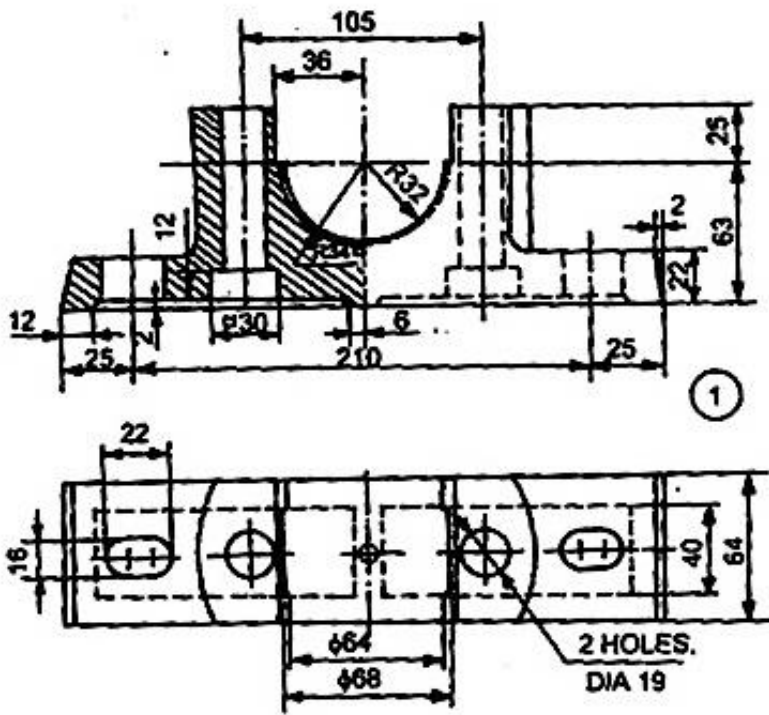
2 × 12 = 24M

1. Draw the three views of a hexagonal headed bolt of nominal diameter 25 mm and length 100 mm with a hexagonal nut and washer.
2. Draw the sectional view from the front, and view from the side of a cotter joint with sleeve used to connect two rods of 50 mm diameter each.
3. Draw (a) sectional view from the front and (b) view from above, of the single riveted, double strap butt joint to join plates of thickness 10 mm.

PART-B

36 × 1 = 36M

1. Assemble the parts of the plummer block, shown in the Figure in next page and draw the following views:
 - i) Half sectional view from the front, with left half in section, and
 - ii) View from above.



Parts list

St. No.	Name	Matl.	Qty.
1	Base	CI	1
2	Bearing brass	Bronze	1
3	Bearing brass	Bronze	1
4	Cap	CI	1
5	Bolt with nuts	MS	2

Plummer block